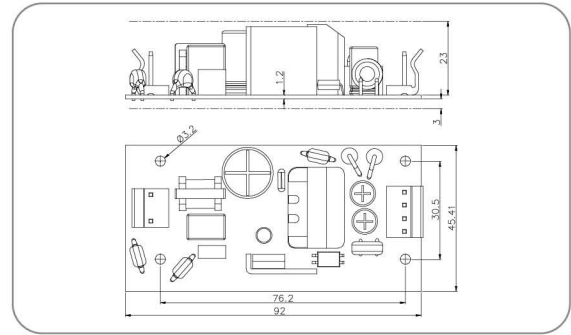
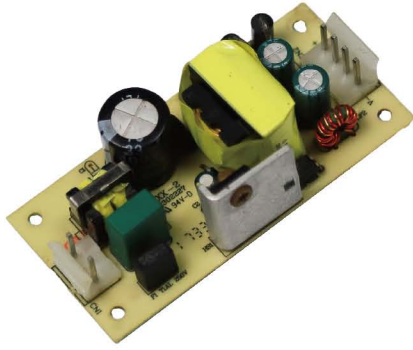


Open Frame **SYS1601 Series Open 24W max**



Green Mode

※ Connector or Cable Type

Dimension | 92x45.5x23(mm)

Efficiency level | VI.



Specification

Model	Voltage DC [V]	min. Load [A]	max. Load [A]	Line / Road regulation [%]	Hold up time [ms]	Max Power [W]	Ripple & Noise [mV] p-p
SYS1601-2412 Open	12	0	2	±5	10	24	180
SYS1601-2415 Open	15	0	1.6	±5	10	24	180
SYS1601-2424 Open	24	0	1	±5	10	24	240

OUTPUT	
Turn on delay	3000ms max. At AC low line input @ output full load
Hold up time	10ms min. At AC nominal input @ output full load (>half cycle)
Efficiency(Normal)	Meet CEC, DOE, ERP, MEPS Level @ 115V / 60Hz, 230V / 50Hz
Transient response(dv.tmax)	0.4V dv max. At AC nominal input loading from 20% load to 80% load 16ms t max Dynamic rise time 10us max, duty 40 ms max, Dynamic load step is slew rate of 0.5A/us
Power out limit	Peak 30W for series
Burn in limit	Full load 2 Hours

INPUT	
Voltage	(90~264)VAC
Frequency	(47~63)Hz
Current	1.0A rms. At AC low line input and DC output full load
Inrush Surge Current (cold start)	40/60A max. At power supply cold start ambient temperature 25°C @ 115VAC / 230VAC nominal AC input
Leakage current	0.25 mA max
Power consumption	0.075W rms max. At AC nominal input @ output min load

PROTECTION	
Over current protection / Output Short protection	The power supply will self-protect any output to ground, And auto recovery when abnormal circuit faults remove, And output short circuit is defined as any output impedance of less than 0.1 ohms.
Over Voltage Protection	The power supply will be auto recovered when faults remove.
Input protection	F1:2.0A 250V Fuse. The power supply shall be protected against power line surge and any abnormal condition
No load protection	The power supply is provided with no load operation to prevent the power supply and system from damage.
Protection class	Class II

OTHERS	
Dielectric Strength(Hi-pot)	Primary to Secondary:3000VAC/10mA/60S
M.T.B.F	50K hours full rated load operation at 25°C, according to the MIL-HDBK-217F
Cooling method	By natural air
Temperature coefficient	<±0.5%/°C

ENVIRONMENT	
Temperature	Operating:(0~50)°C / Storage:(-20~85)°C
Humidity	Operating:8%~90%RH Storage:5%~95% RH non-condensing

SAFETY & EMC STANDARD	
Meet EN55032, EN55035, FCC Part 15 Subpart B	
IEC62368-1:2014	

WEIGHT	
1pc	N.W: 50 g / pc
	G.W: 10.5 kg / box

PACKING	
PE plastic bag	200 pcs / 1 box

FEATURES	
Open frame power supply, single output.	
Wide range input(90~264)VAC / (47~63)Hz.	
Overload over voltage & short protection. For I.T.E use only + RoHS conform.	